



Ex d- Housing / Controls
Typ FTE XXxxxxxx -....

Fluidtechnik **fiedler**®



- ✓ **Control for gas group B and C, category 2G, for use in Zone 1 and 2**
- ✓ **Housing made of aluminum, stainless steel or sheet steel**
- ✓ **IP65/IP66 protection, depending on model**
- ✓ **With and without Ex-e terminal box**
- ✓ **Operating temperature according installations**
- ✓ **EC-Type Examination Certificate TÜV 11 ATEX 7777 x**
- ✓ **Ambient temperature of -50 ° C to +60 ° C**
(depending on body size, installations, power dissipation and the required temperature class)
- ✓ **Explosion protection**

FTE BXxxxxxx	Ex d II B T4...T6
FTE CXxxxxxx	Ex d II C T4...T6
- ✓ **Power dissipation from 45 to 1700 Watt**
(depending on body size. ambient temperature and required temperature class)

The Ex d enclosures series FTE B / C can be used to build control systems, distribution boards and terminal boxes. They differ in the construction of the corresponding gas group B and C and are made of stainless steel or aluminum. The internal components are usual components such as electrical equipment, switchgear and Ex i devices.

Pressure-proof and flameproof control and display devices could directly be integrated in the cover. The direct cable entry takes place via pressure-proof and flameproof cable glands and cable or adapter for direct pipe connection.

The Ex d enclosures can be used alone or in combination with Ex e terminal boxes. In Ex e terminal boxes can be certified terminals, modules and fuses, control and display units installed. The casing material may be polyester, aluminum or stainless steel.



Ex d- Housing / Controls
Typ FTE **XXxxxxxx** -....



Type Code

FTE 1 3 xx xx xx 5 - (2 4 xx xx xx 5) (xx xx xx = L x B x H in cm)

	Product type / Categorie	Designation
E	Ex- Product, Categorie 2G	
1	B Ex d II B T4...T6 C Ex d II C T4...T6	Ex d – Control Ex d – Control Gas group B Ex d – Control Gas group C
2	E Ex e[ia] IIC T4, T5, T6 I Ex ia IIC T6 F Ex e d m q ia/ib IIB, IIC T4, T5, T6 <i>without Control-/terminal box items 2, 4 and the manufacturer ID are not applicable</i>	Control- /Terminal box Ex e Terminal box Ex i Terminal box Ex e Control box
3	A Aluminium V Stainless steel V2A (304L / 1.4301) W Stainless steel V4A S sheet steel	Material and dimensions Ex d - housing: (W x H x D) in cm
4	A Aluminium P Polyester (black) V Stainless steel V2A (304L / 1.4301) W Stainless steel V4A (316L / 1.4404)	Material and dimensions Control- and terminal boxes: (W x H x D) in cm
5	Manufacturer ID A...Z	

Examples:

FTE BA 634327 C flameproof enclosure, Ex d- IIB, Aluminium, 632x432x256mm

FTE CV 303030 P flameproof enclosure, Ex d- IIC, stainless steel, 300x300x300mm

FTE BA 563830 C-EP 252521 E flameproof enclosure, Ex d- IIB, Aluminium, 560x380x298mm with Ex e- terminal box, Polyester, 250x250x121mm

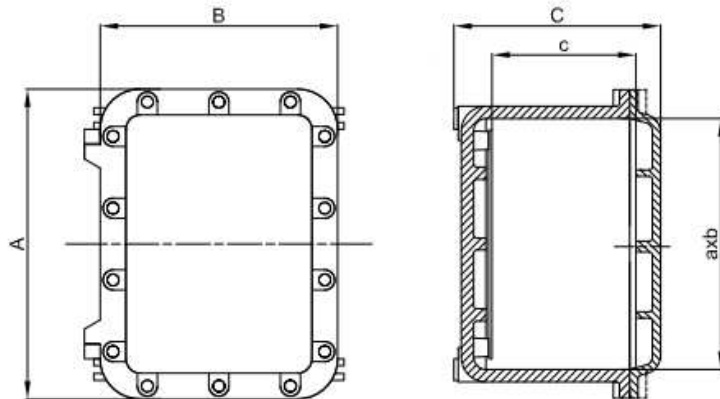
Related Documents: Operating instructions FTE BAL B / C (manual Ex d control)



Ex d- Housing / Controls
Typ FTE **XXxxxxxx** -....

Fluidtechnik **fiedler**®

Dimensions FTE B A xx xx xx (Standard housing Aluminium)



Type	External dimensions /mm			Internal dimensions /mm		
	A	B	C	a	b	c
FTE BA 36 28 28 C	364	284	278	300	220	214
FTE BA 43 33 22 C	432	332	229	360	260	148
FTE BA 43 33 30 C	432	332	299	360	260	217
FTE BA 63 43 34 C	632	432	341	560	360	256
FTE BA 63 43 40 C	632	432	397	560	360	330
FTE BA 87 65 48 C	870	650	480	760	540	330

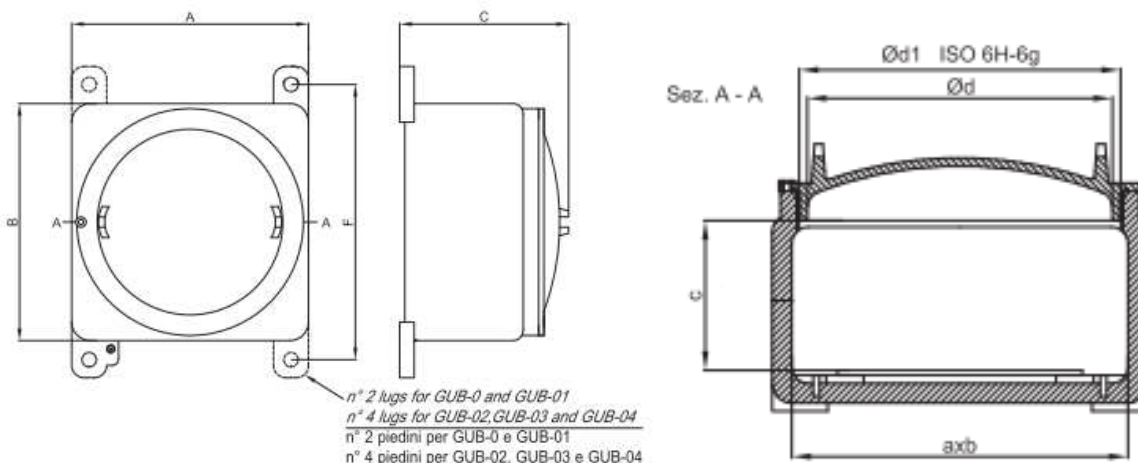
The list are standard housings with a short delivery time. Other dimensions and design (also in stainless steel) are also available upon request.



Ex d- Housing / Controls
 Typ FTE **XXxxxxxx** -....

Fluidtechnik **fiedler**®

Dimensions FTE C A xx xx xx (Standard housing Aluminium)



Type	External dimensions /mm			Internal dimensions /mm			Ø
	A	B	C	a	b	c	d
FTE CA 23 23 16 C	230	230	165	204	204	92	185
FTE CA 28 28 22 C	276	276	217	250	250	135	235
FTE CA 43 43 29 C	430	430	290	398	398	158	360
FTE CA 52 52 33 C	520	520	327	480	480	430	460

The list are standard housings with a short delivery time. Other dimensions and design (also in stainless steel) are also available upon request.